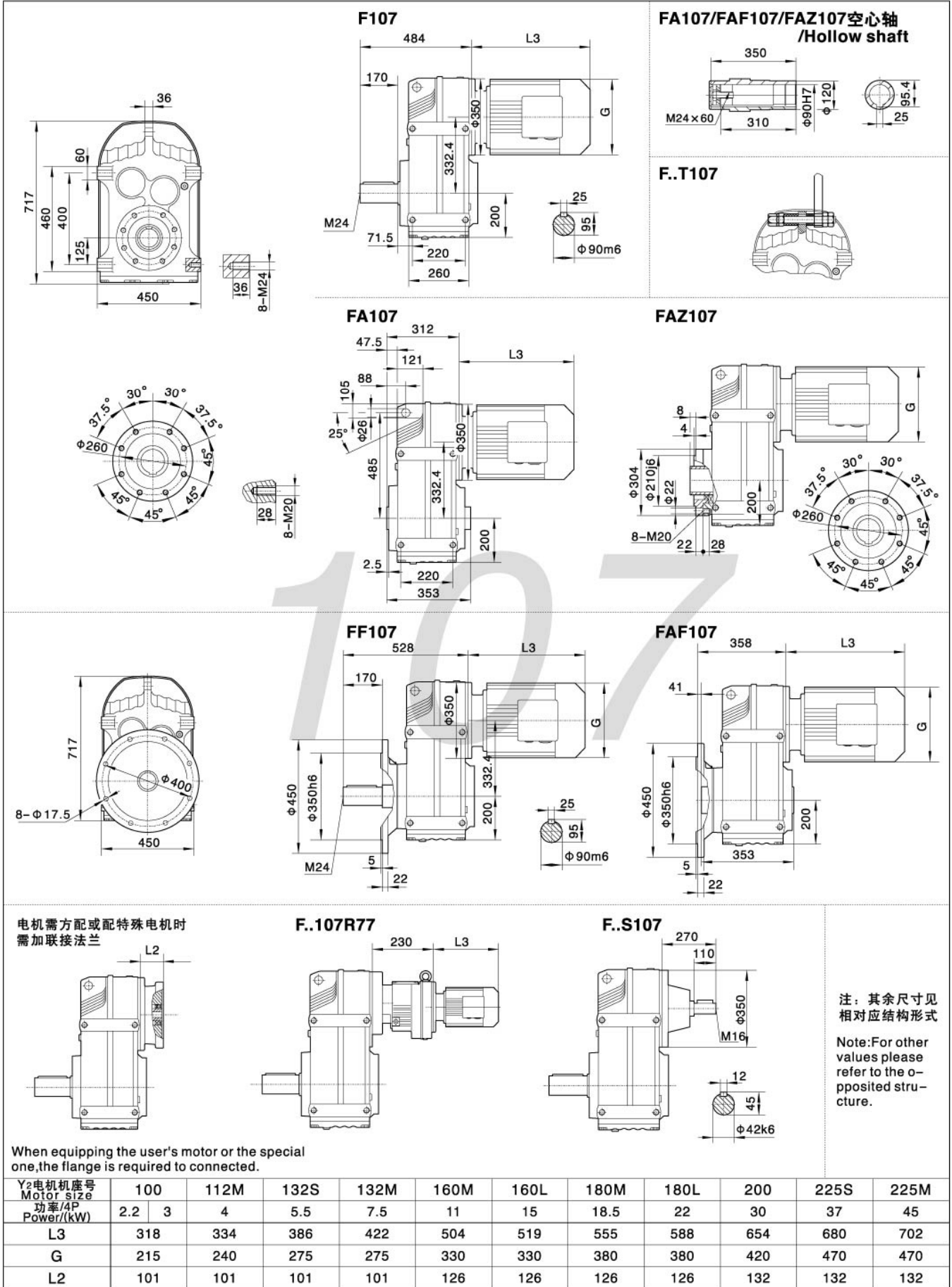


外形安装尺寸
Mounting Dimension Sheets-overview



注:1. 以上壳体为通用件, 安装尺寸均可相互参照 2. "F.."表示F、FA、FF、FAF、FAZ
Note: 1. The above housings are common parts. The mounting dimensions may consult each other. 2. "F.." mean F、FA、FF、FAF、FAZ