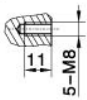
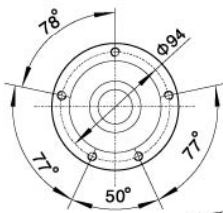
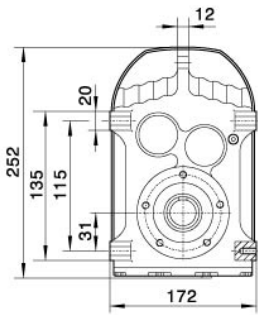
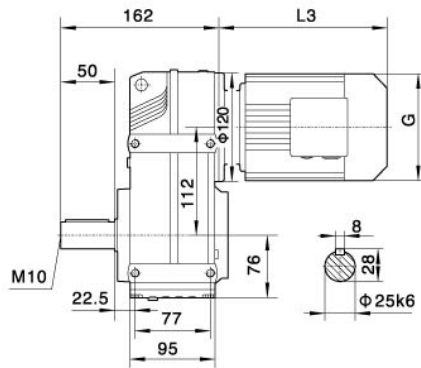


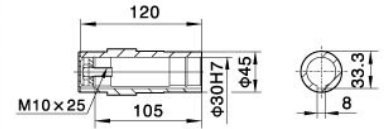
外形安装尺寸 Mounting Dimension Sheets-overview



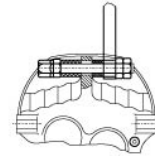
F37



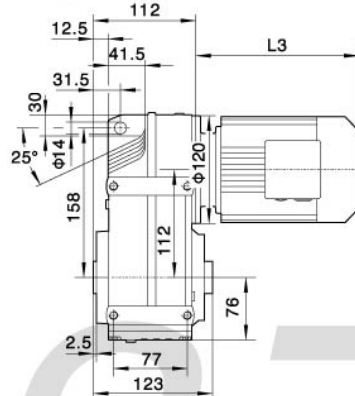
**FA37/FAF37/FAZ37空心轴
/Hollow shaft**



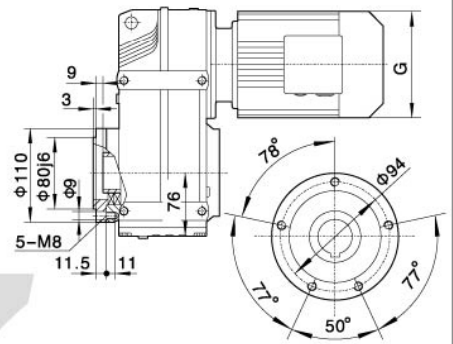
F..T37



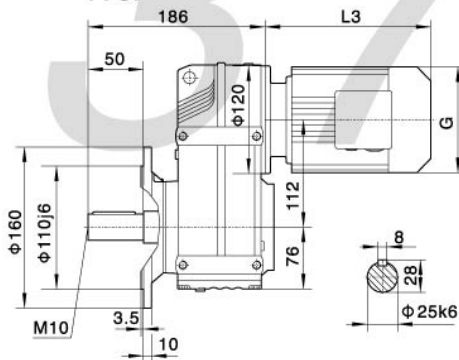
FA37



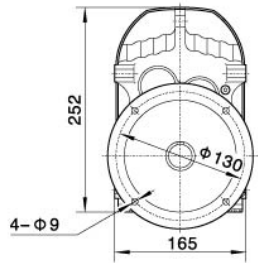
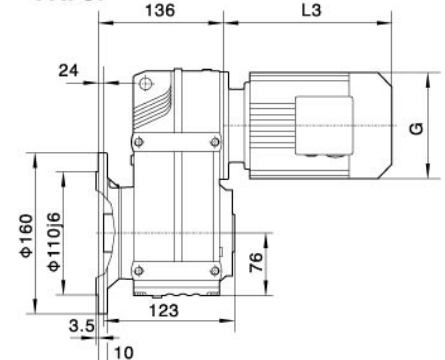
FAZ37



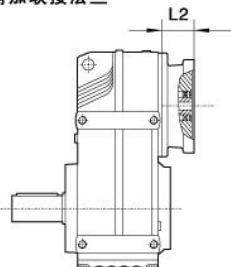
FF37



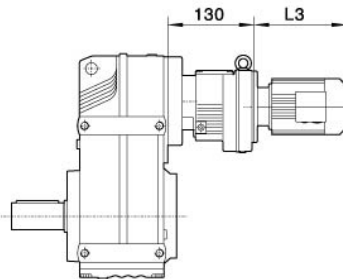
FAF37



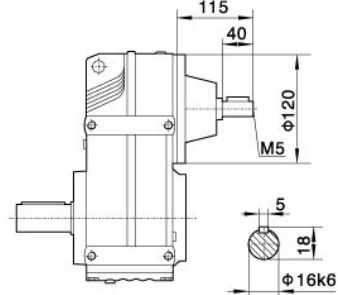
电机需方配或配特殊电机时需加联接法兰



F..37R17



F..S37



注：其余尺寸见相对应结构形式

Note: For other values please refer to the opposite structure.

When equipping the user's motor or the special one, the flange is required to be connected.

Y2电机座号 Motor size	63	71		80		90S	90L	100	
功率/4P Power/(kW)	0.18	0.25	0.37	0.55	0.75	1.1	1.5	2.2	3
L3	235	245		278		304	328	340	
G	130	145		175		195	195	215	
L2	71	71		71		71	71	93	

注:1.以上壳体为通用件,安装尺寸均可相互参照 2."F.."表示F、FA、FF、FAF、FAZ

Note:1.The above housings are common parts.The mounting dimensions may consult each other. 2."F.."mean F、FA、FF、FAF、FAZ