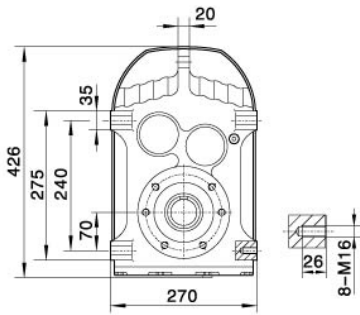
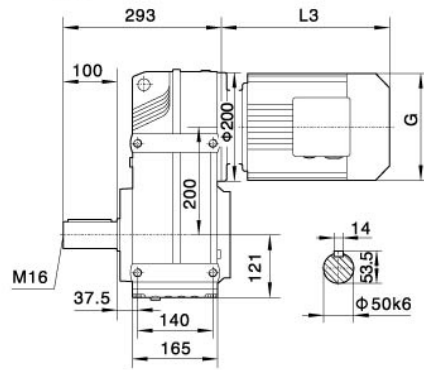


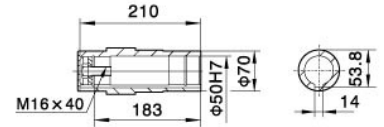
外形安装尺寸 Mounting Dimension Sheets-overview



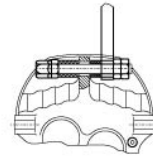
F77



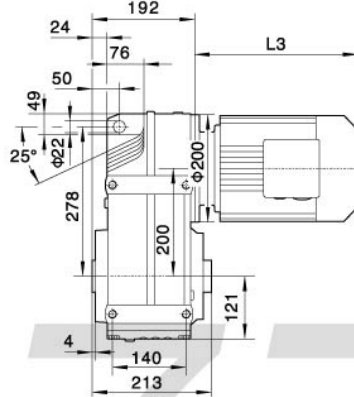
**FA77/FAF77/FAZ77空心轴
/Hollow shaft**



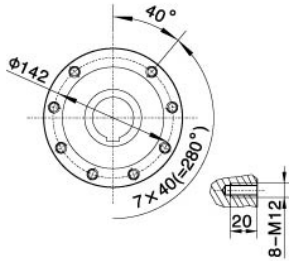
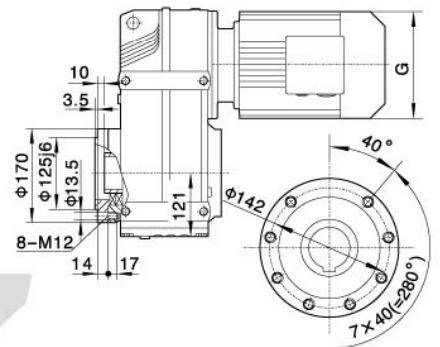
F..T77



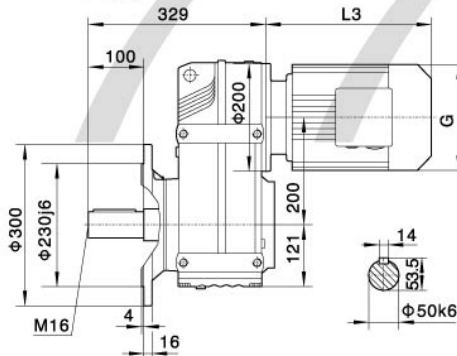
FA77



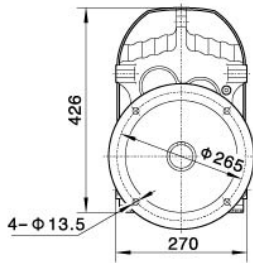
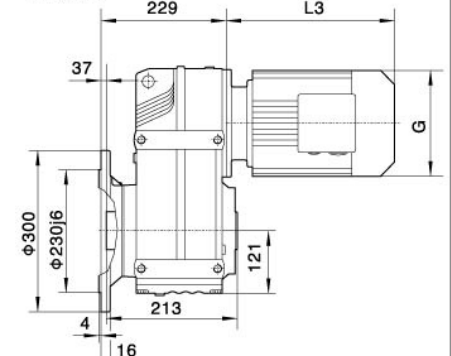
FAZ77



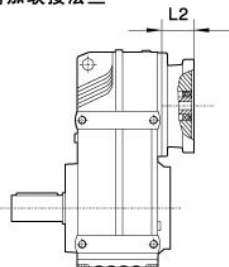
FF77



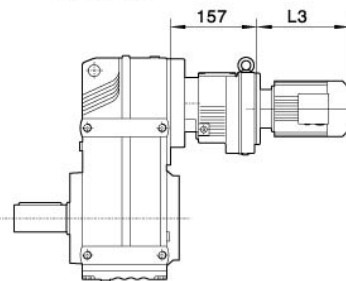
FAF77



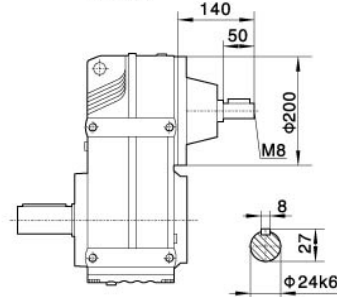
电机需方配或配特殊电机时需加联接法兰



F..77R37



F..S77



注：其余尺寸见相对应结构形式

Note: For other values please refer to the opposite structure.

When equipping the user's motor or the special one, the flange is required to be connected.

Y2电机机座号 Motor size	71	80	90S	90L	100	112M	132S	132M	160M
功率/4P Power/(kW)	0.37	0.55 0.75	1.1	1.5	2.2 3	4	5.5	7.5	11
L3	233	278	304	328	350	380	425	461	524
G	145	175	195	195	215	240	275	275	330
L2	81	81	81	81	93	93	101	101	126

注:1.以上壳体为通用件,安装尺寸均可相互参照 2."F.."表示F、FA、FF、FAF、FAZ

Note:1.The above housings are common parts.The mounting dimensions may consult each other. 2."F.."mean F、FA、FF、FAF、FAZ