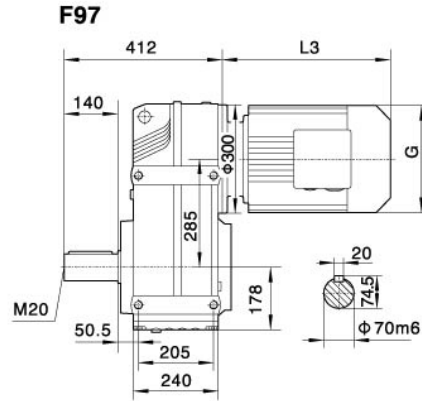
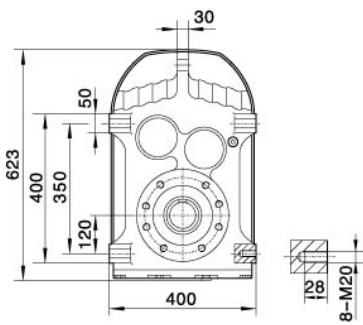
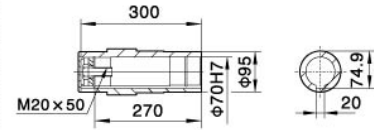


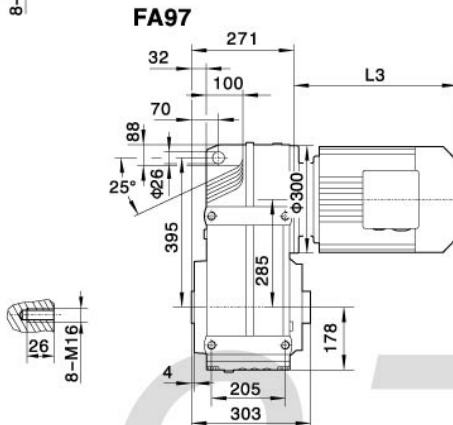
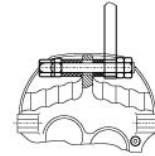
外形安装尺寸 Mounting Dimension Sheets-overview



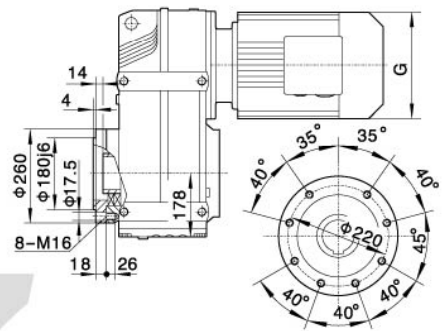
FA97/FAF97/FAZ97空心轴 /Hollow shaft



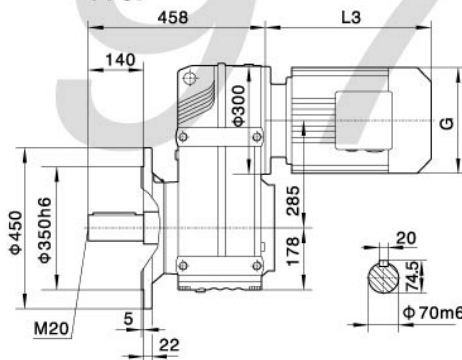
F..T97



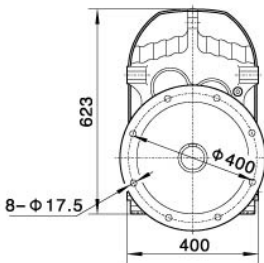
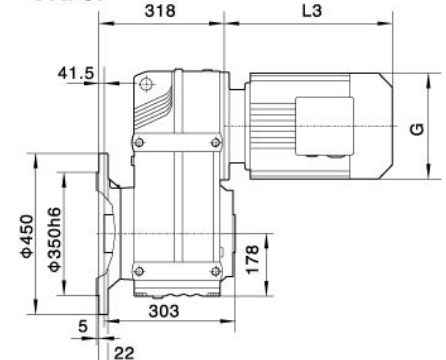
FAZ97



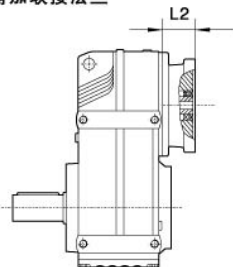
FF97



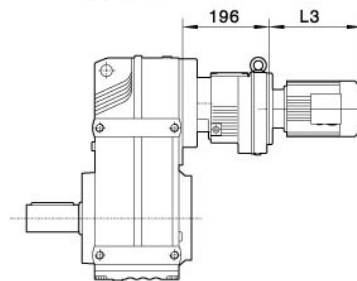
FAF97



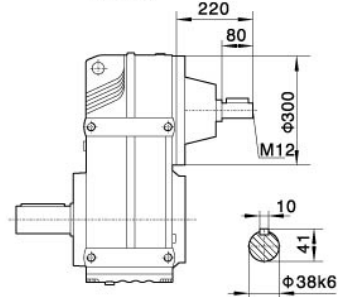
电机需方配或配特殊电机时
需加联接法兰



F..97R57



F..S97



注：其余尺寸见
相对应结构形式

Note:For other
values please
refer to the o-
pposited stru-
cture.

When equipping the user's motor or the special
one,the flange is required to be connected.

| Y2电机座号 Motor size | 90S | 90L | 100 | 112M | 132S | 132M | 160M | 160L | 180M | 180L | 200 |
|----------------------|-----|-----|-------|------|------|------|------|------|------|------|-----|
| 功率/4P Power/(kW) | 1.1 | 1.5 | 2.2 3 | 4 | 5.5 | 7.5 | 11 | 15 | 18.5 | 22 | 30 |
| L3 | 280 | 304 | 315 | 334 | 425 | 461 | 524 | 547 | 555 | 588 | 654 |
| G | 195 | 195 | 215 | 240 | 275 | 275 | 330 | 330 | 380 | 380 | 420 |
| L2 | 86 | 86 | 101 | 101 | 101 | 101 | 126 | 126 | 126 | 126 | 132 |

注:1.以上壳体为通用件,安装尺寸均可相互参照 2."F.."表示F、FA、FF、FAF、FAZ

Note:1.The above housings are common parts.The mounting dimensions may consult each other. 2."F.."mean F、FA、FF、FAF、FAZ